



EverLast® Induction Lighting ELB-SC-100W

- Wattage: 100w
- Lamp Life Rating: 100,000 hours
- Ballast Life Rating: 60,000 hours
- CCT: 5000k
- CRI: 82-85
- IP Rating: IP43
- Vibration & Shock Resistance: Excellent
- Applications: Warehouses, factories, showrooms, gymnasiums, workshops

Specifications

Lamp

Wattage (W)	Lumens (LM)	CRI	CCT (Kelvin)	Rated Life (Hours)
100	8,400	82-85	5000	100,000

Ballast

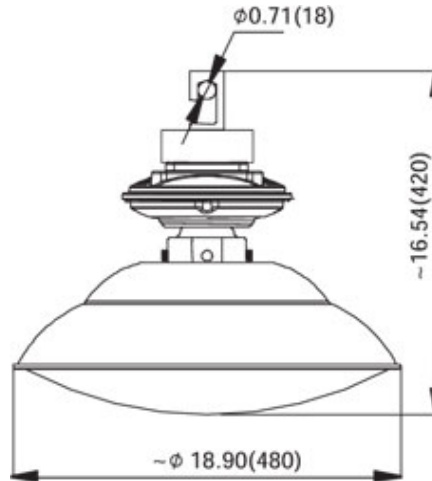
Input Power (W)	Input Voltage (V)	Input Current (A)	Input Freq. (Hz)	Power Factor (PF)	Operating Temp. (°F)	THD (%)
105	120-277	0.93-0.42	50/60	>.95	-20 to 120	<10

Physical Specifications

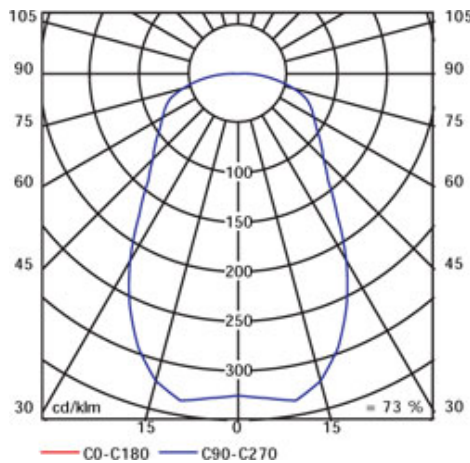
- Aluminum reflector with anodized inner surface
- UV stabilized acrylic or tempered glass lens
- Die cast aluminum ballast casing with corrosion-resistant white powder coat finish
- Simple latching hook or pendant mounting system
- Electronic ballast with high power factor

EverLast® Induction Lighting ELB-SC-100W

Dimensions



Photometric Data



EverLast® 5/5 Zero Maintenance Warranty

Full Spectrum Solutions (manufacturer) warrants that its fixtures shall be free from defects in materials and workmanship for a period of 10 years from the date of purchase. Ballasts shall be free from defects in materials and workmanship for a period of 5 years from the date of purchase. Manufacturer warrants that its lamps shall be free from defects in materials and workmanship for a period of 5 years from date of delivery. Use of product inconsistent with product instructions and specifications will void warranty. Full Spectrum Solutions will not honor warranty claims for defects caused by improper installation, use or maintenance. Manufacturer shall, at its option, either replace or repair defective ballasts for valid warranty claims. FULL SPECTRUM SOLUTIONS MAKES NO OTHER WARRANTY, EXPRESSED OR IMPLIED THAT THE GOODS ARE MERCHANTABLE OR FIT FOR ANY PARTICULAR PURPOSE. BUYER ACKNOWLEDGES THAT BUYER IS NOT RELYING ON SELLER'S SKILL OR JUDGMENT TO SELECT OR FURNISH GOODS SUITABLE FOR ANY PARTICULAR PURPOSE. **CERTAIN RESTRICTIONS MAY APPLY DEPENDING ON PRODUCT USE AND APPLICATION.**



EverLast® Induction Lighting ELB-SC-150W

- Wattage: 150w
- Lamp Life Rating: 100,000 hours
- Ballast Life Rating: 60,000 hours
- CCT: 5000k
- CRI: 82-85
- IP Rating: IP43
- Vibration & Shock Resistance: Excellent
- Applications: Warehouses, factories, showrooms, gymnasiums, workshops

Specifications

Lamp

Wattage (W)	Lumens (LM)	CRI	CCT (Kelvin)	Rated Life (Hours)
150	13,000	82-85	5000	100,000

Ballast

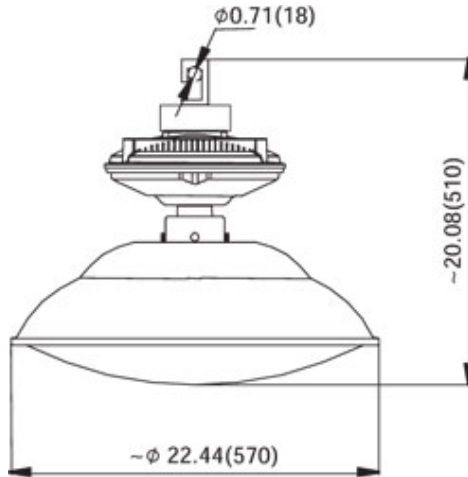
Input Power (W)	Input Voltage (V)	Input Current (A)	Input Freq. (Hz)	Power Factor (PF)	Operating Temp. (°F)	THD (%)
165	120-277	1.35-0.61	50/60	>.95	-20 to 120	<10

Physical Specifications

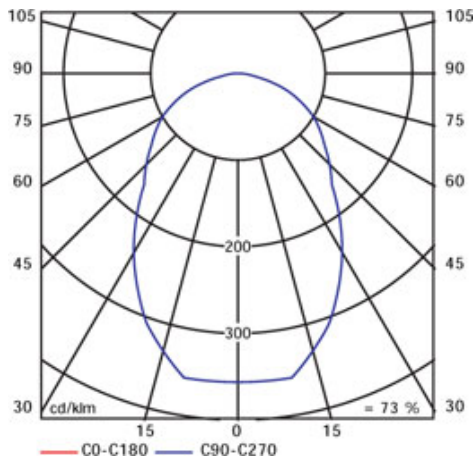
- Aluminum reflector with anodized inner surface
- UV stabilized acrylic or tempered glass lens
- Die cast aluminum ballast casing with corrosion-resistant white powder coat finish
- Simple latching hook or pendant mounting system
- Electronic ballast with high power factor

EverLast® Induction Lighting ELB-SC-150W

Dimensions



Photometric Data



EverLast® 5/5 Zero Maintenance Warranty

Full Spectrum Solutions (manufacturer) warrants that its fixtures shall be free from defects in materials and workmanship for a period of 10 years from the date of purchase. Ballasts shall be free from defects in materials and workmanship for a period of 5 years from the date of purchase. Manufacturer warrants that its lamps shall be free from defects in materials and workmanship for a period of 5 years from date of delivery. Use of product inconsistent with product instructions and specifications will void warranty. Full Spectrum Solutions will not honor warranty claims for defects caused by improper installation, use or maintenance. Manufacturer shall, at its option, either replace or repair defective ballasts for valid warranty claims. FULL SPECTRUM SOLUTIONS MAKES NO OTHER WARRANTY, EXPRESSED OR IMPLIED THAT THE GOODS ARE MERCHANTABLE OR FIT FOR ANY PARTICULAR PURPOSE. BUYER ACKNOWLEDGES THAT BUYER IS NOT RELYING ON SELLER'S SKILL OR JUDGMENT TO SELECT OR FURNISH GOODS SUITABLE FOR ANY PARTICULAR PURPOSE. **CERTAIN RESTRICTIONS MAY APPLY DEPENDING ON PRODUCT USE AND APPLICATION.**



EverLast® Induction Lighting ELB-SC-200W

- Wattage: 200w
- Lamp Life Rating: 100,000 hours
- Ballast Life Rating: 60,000 hours
- CCT: 5000k
- CRI: 82-85
- IP Rating: IP43
- Vibration & Shock Resistance: Excellent
- Applications: Warehouses, factories, showrooms, gymnasiums, workshops

Specifications

Lamp

Wattage (W)	Lumens (LM)	CRI	CCT (Kelvin)	Rated Life (Hours)
215	18,250	82-85	5000	100,000

Ballast

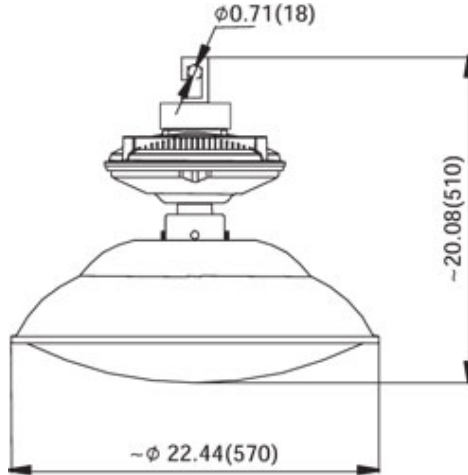
Input Power (W)	Input Voltage (V)	Input Current (A)	Input Freq. (Hz)	Power Factor (PF)	Operating Temp. (°F)	THD (%)
215	120-277	1.77-0.80	50/60	>.95	-20 to 120	<10

Physical Specifications

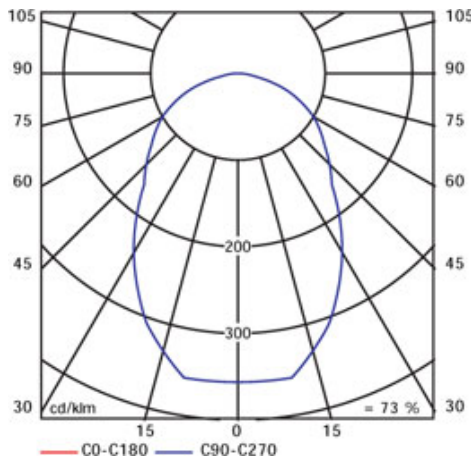
- Aluminum reflector with anodized inner surface
- UV stabilized acrylic or tempered glass lens
- Die cast aluminum ballast casing with corrosion-resistant white powder coat finish
- Simple latching hook or pendant mounting system
- Electronic ballast with high power factor

EverLast® Induction Lighting ELB-SC-200W

Dimensions



Photometric Data



EverLast® 5/5 Zero Maintenance Warranty

Full Spectrum Solutions (manufacturer) warrants that its fixtures shall be free from defects in materials and workmanship for a period of 10 years from the date of purchase. Ballasts shall be free from defects in materials and workmanship for a period of 5 years from the date of purchase. Manufacturer warrants that its lamps shall be free from defects in materials and workmanship for a period of 5 years from date of delivery. Use of product inconsistent with product instructions and specifications will void warranty. Full Spectrum Solutions will not honor warranty claims for defects caused by improper installation, use or maintenance. Manufacturer shall, at its option, either replace or repair defective ballasts for valid warranty claims. FULL SPECTRUM SOLUTIONS MAKES NO OTHER WARRANTY, EXPRESSED OR IMPLIED THAT THE GOODS ARE MERCHANTABLE OR FIT FOR ANY PARTICULAR PURPOSE. BUYER ACKNOWLEDGES THAT BUYER IS NOT RELYING ON SELLER'S SKILL OR JUDGMENT TO SELECT OR FURNISH GOODS SUITABLE FOR ANY PARTICULAR PURPOSE. **CERTAIN RESTRICTIONS MAY APPLY DEPENDING ON PRODUCT USE AND APPLICATION.**